



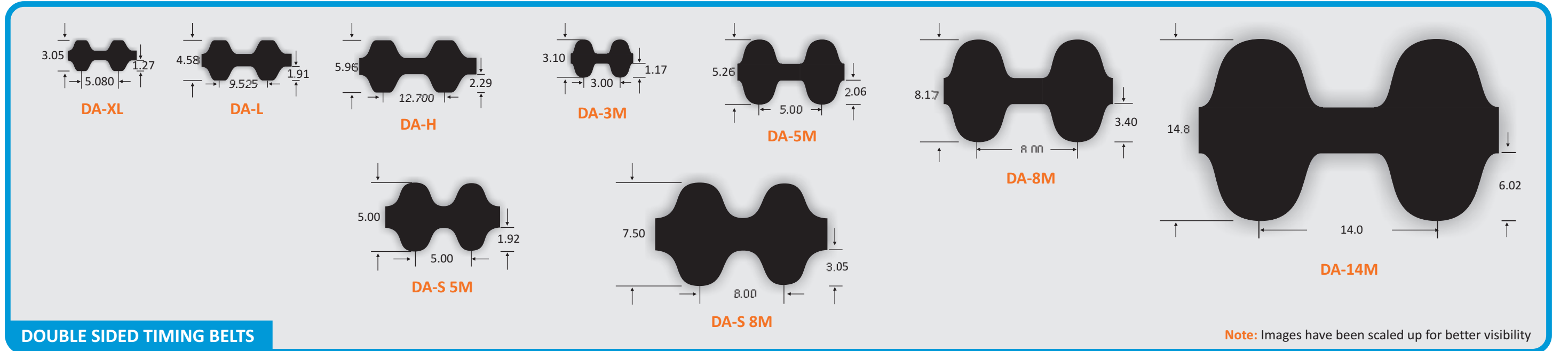
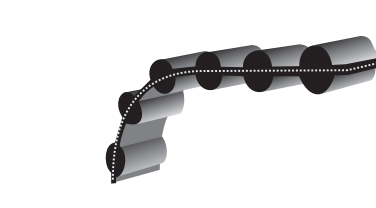
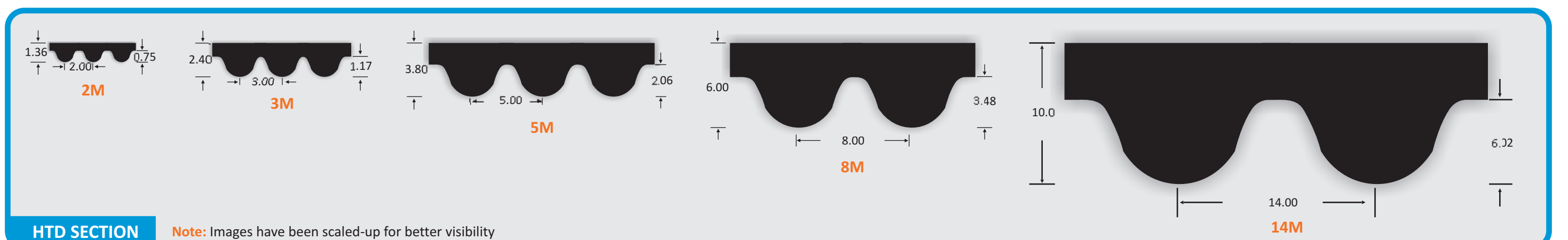
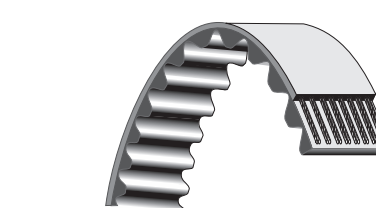
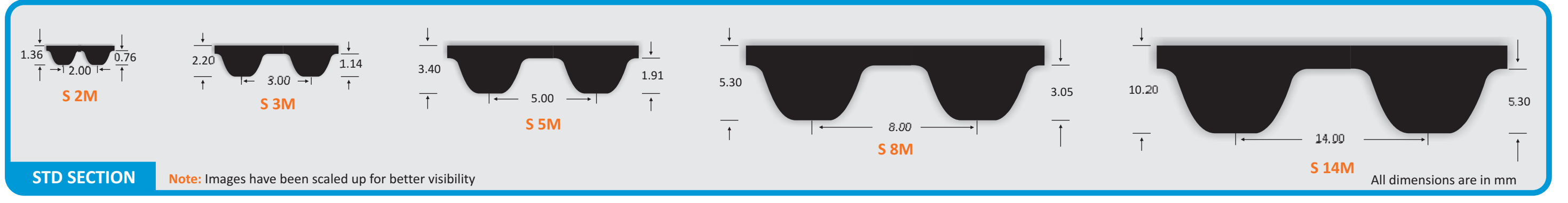
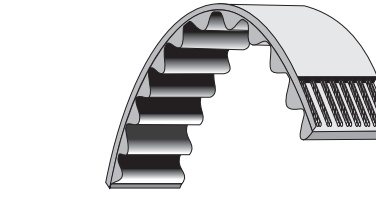
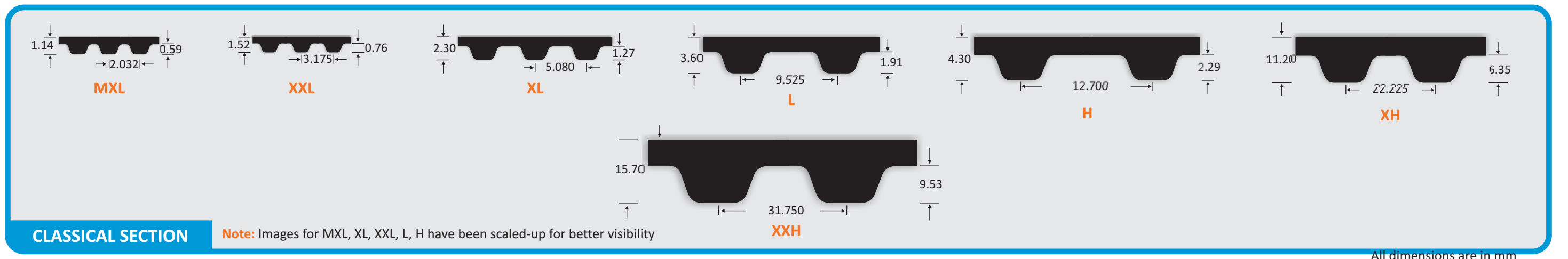
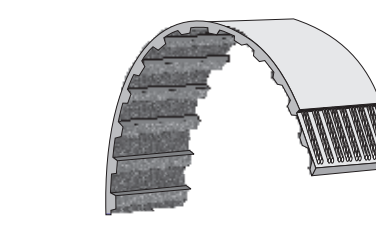
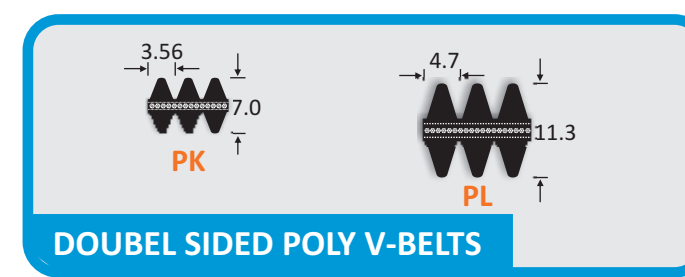
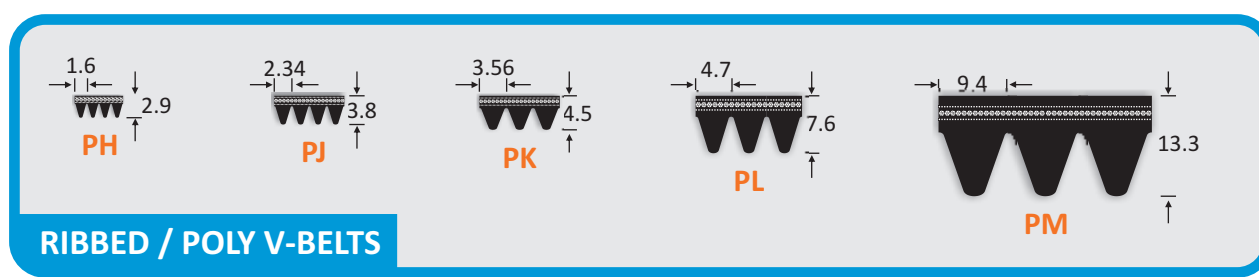
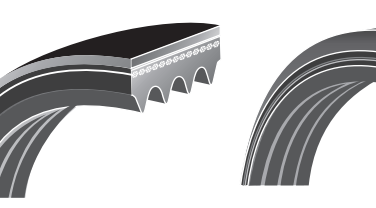
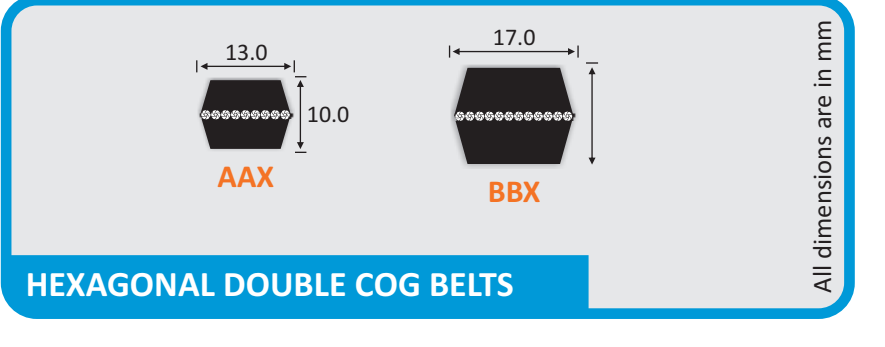
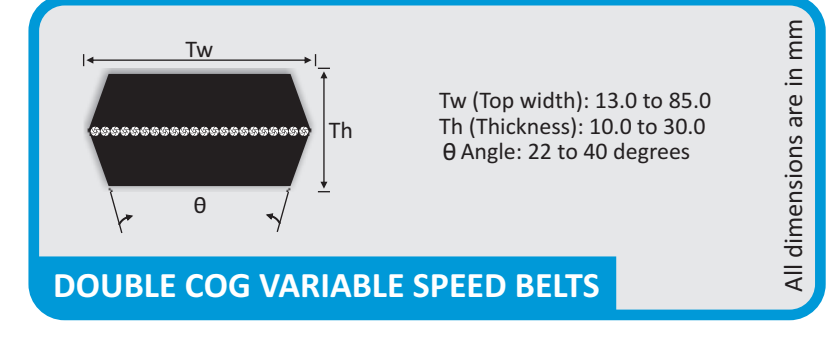
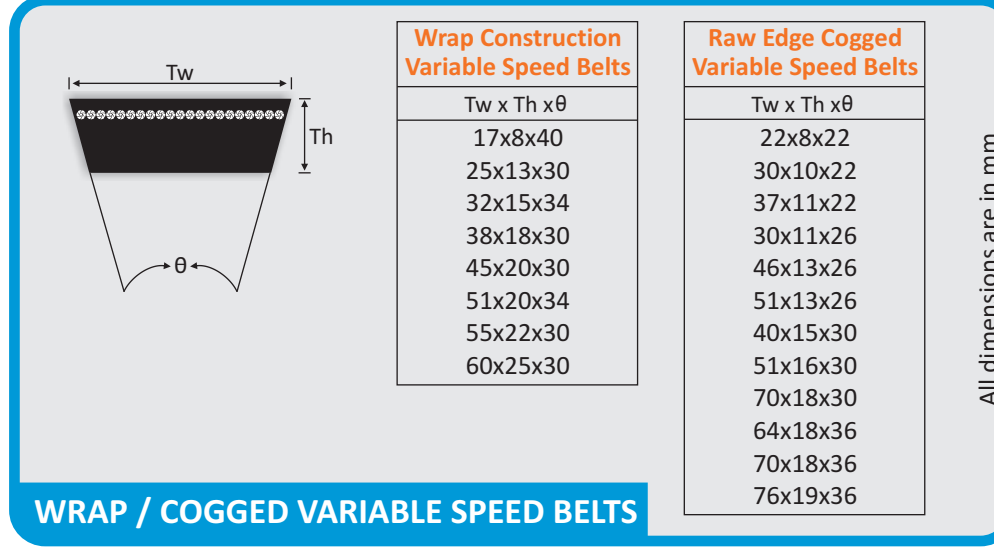
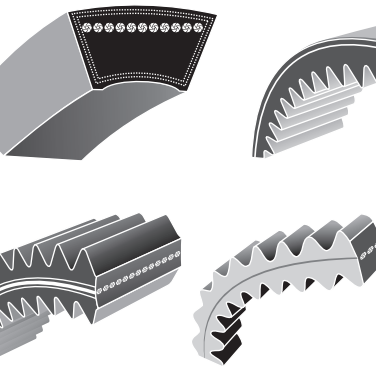
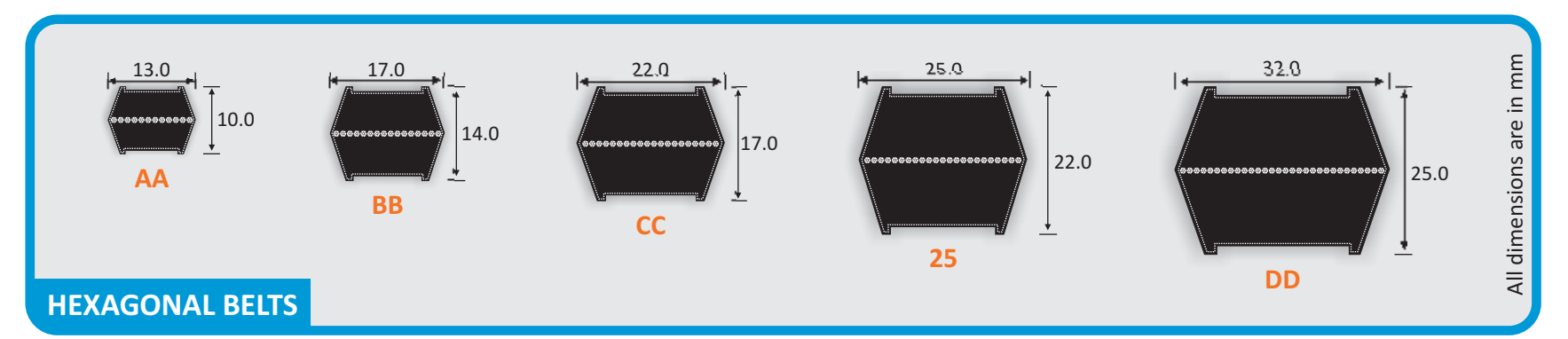
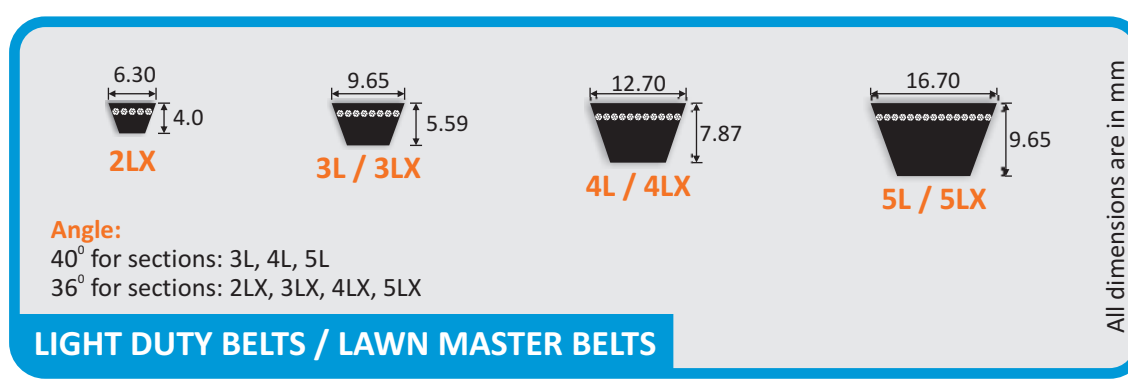
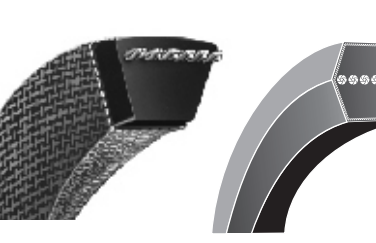
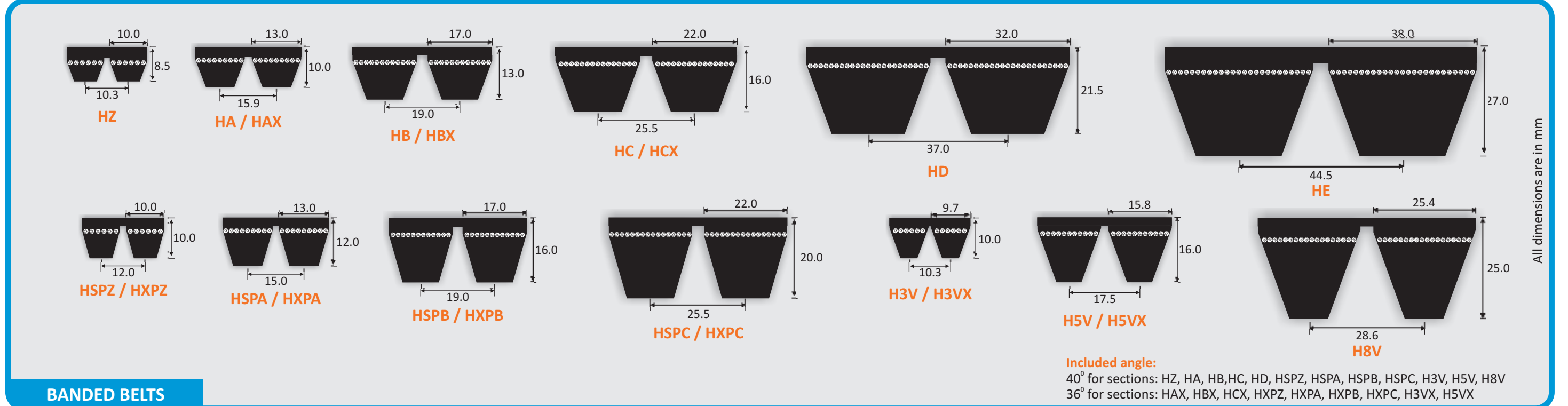
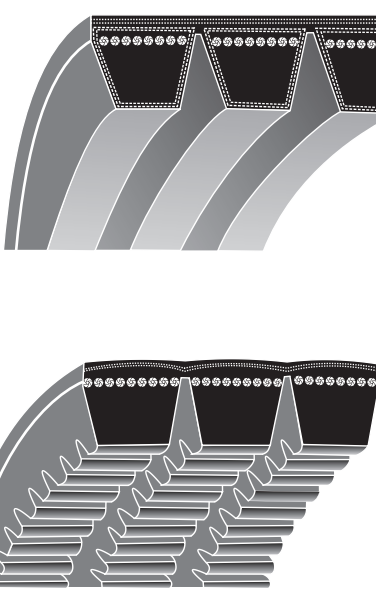
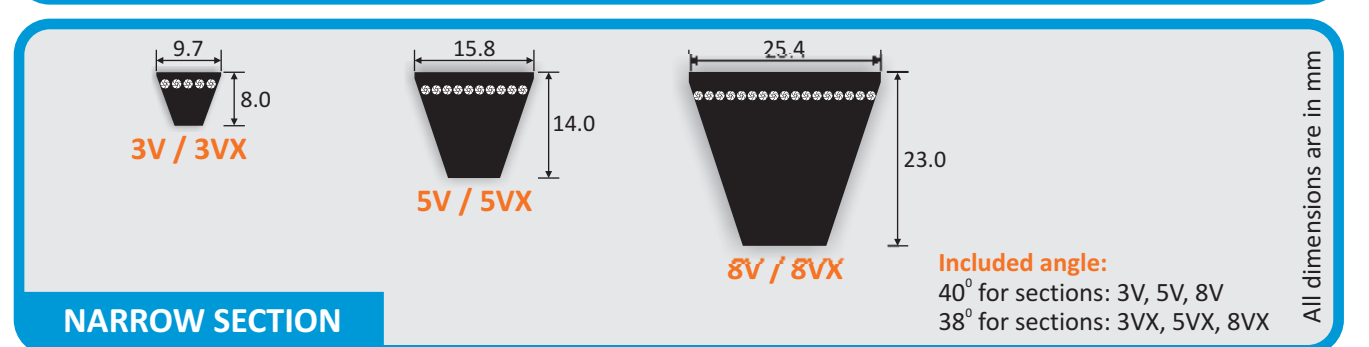
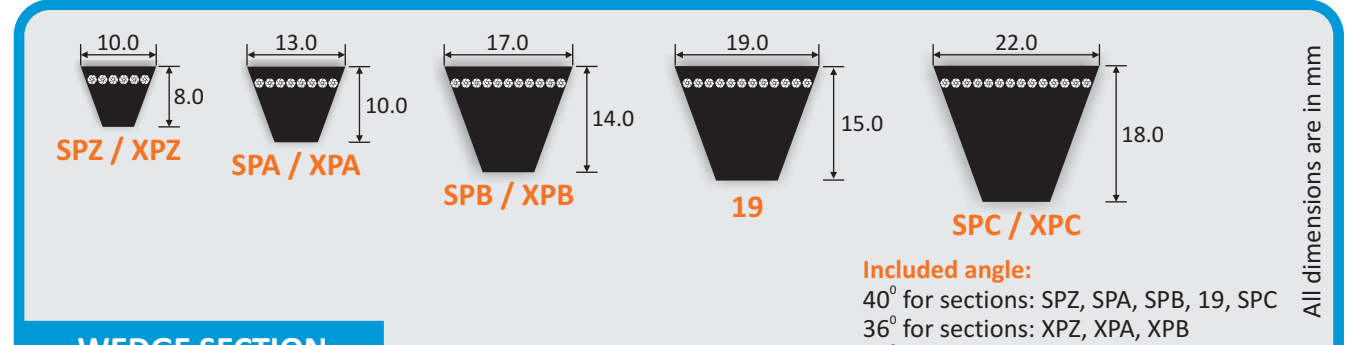
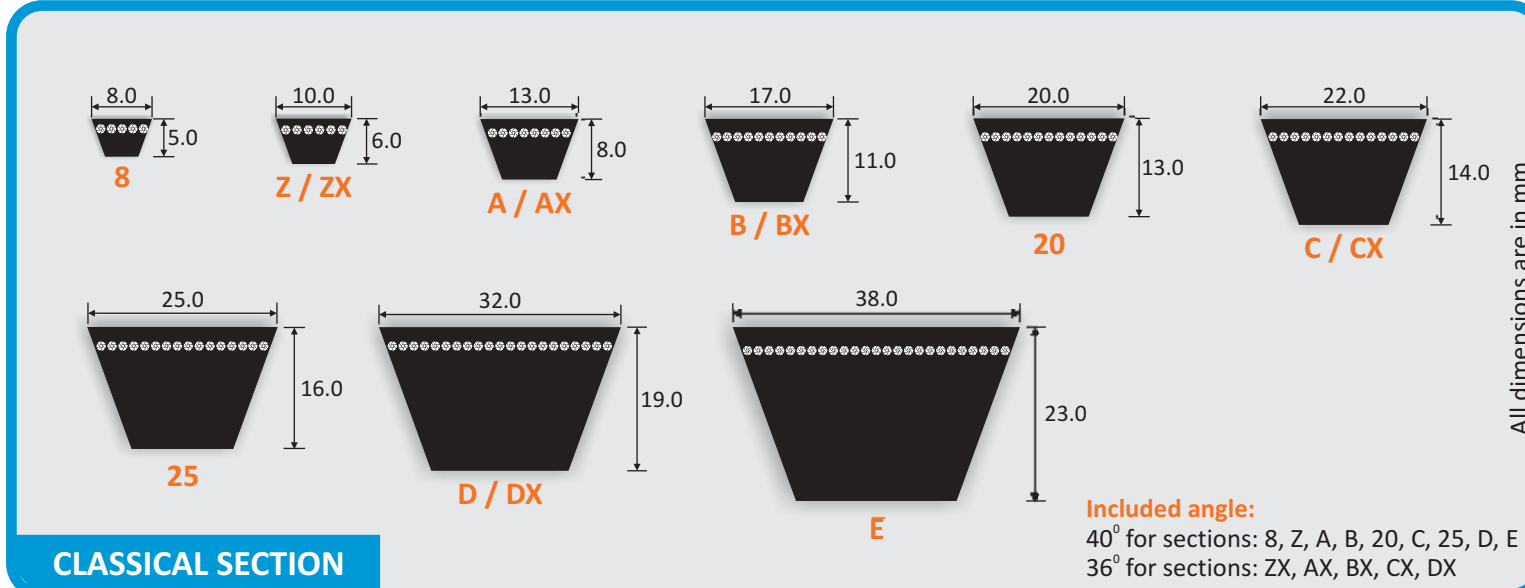
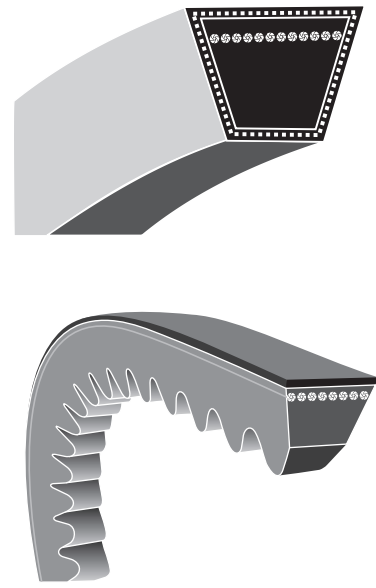
PIX

Power Transmission Solutions

Driving growth!

BELT PROFILE CHART

www.pixtrans.com



Accessories

